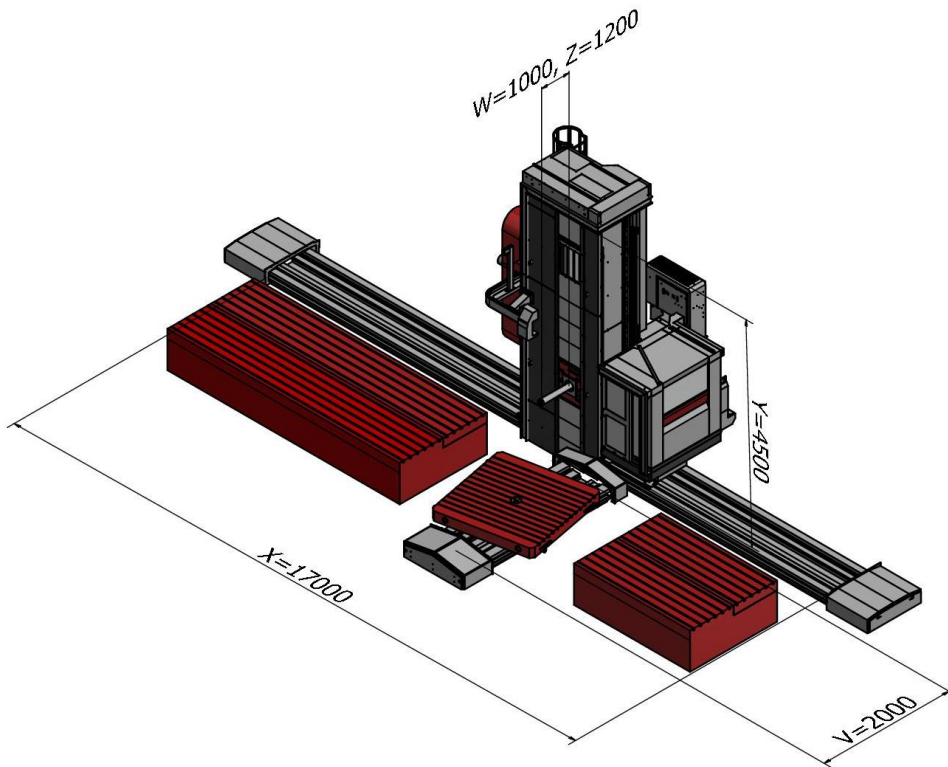


M

MACHINERY/
JUARISTI
MP5 RAM

NEW POSSIBILITIES AT EXPOM/ MACHINERY/JUARISTI MP5 RAM

EXPOM LABORATORY



TECHNICAL SPECIFICATION

X = 17000 mm

Y = 5000 mm

Z = 1200 mm

W = 1000 mm

V = 2000 mm

Automatic tool
changing– 60 pcs

Hydrostatic
guiding system



